

# NB00441

## 2-20 GHz 0.1 W Broadband Amplifier

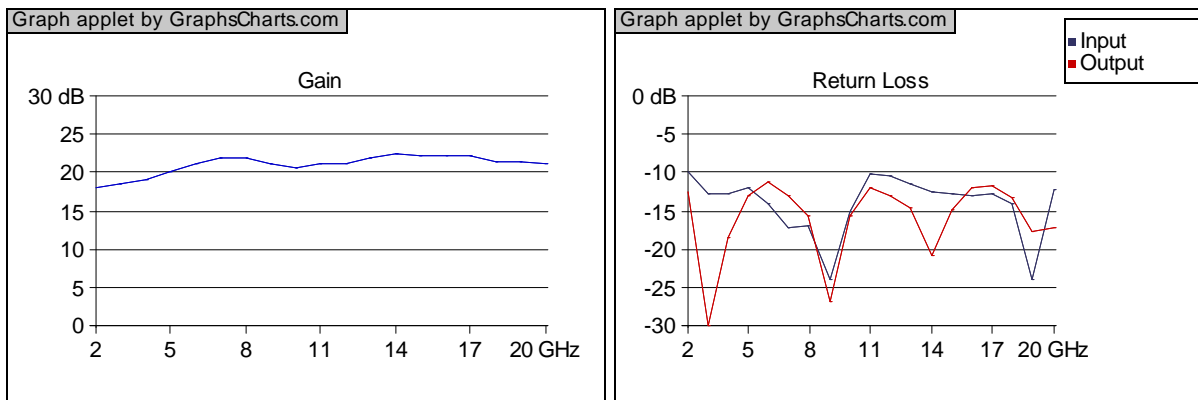
**Features:**

- Thin Film Hybrid MIC Process
- Field Replaceable SMA Connectors
- Reverse Bias Protection

**Electrical Performance**

Parameter	Min.	Typ.	Max.	Unit	Note
Frequency	2		20	GHz	
Gain	17	22		dB	
Gain Flatness		2.5	3	dB(+/-)	
Power @ 1dB Gain Compression Point	16	20		dBm	
Output 3rd Order Intercept Point	25	29		dBm	
Noise Figure		9	12	dB	
VSWR Input		1.9	2.4		
VSWR Output		1.9	2.4		
Maximum Input Power Level without Damage			8	dBm	
DC Supply Voltage	11	12	15	V	
Supplied Current		250	290	mA	

**Typical Test Data**



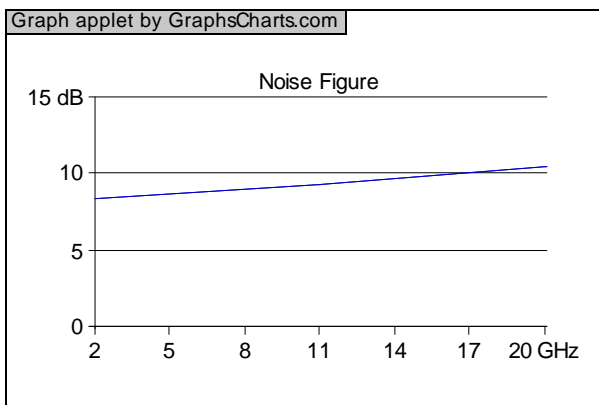
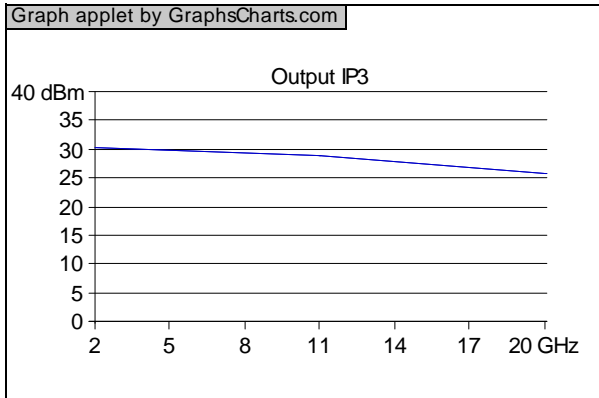
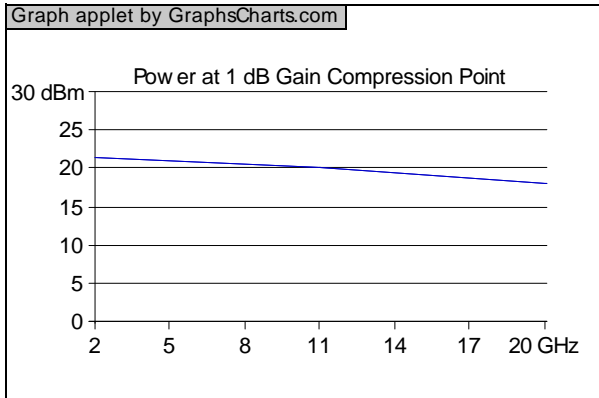
Updated: 3/9/2016



Nextec Microwave & RF, Inc. [WWW.NEXTEC-RF.COM](http://WWW.NEXTEC-RF.COM)  
 3010 Scott Blvd., Santa Clara, California 95054  
 (408) 727-1189(Ph)/ (408) 727-5915(Fax)/ sales@nextec-rf.com

# NB00441

## 2-20 GHz 0.1 W Broadband Amplifier



### Outline Drawing

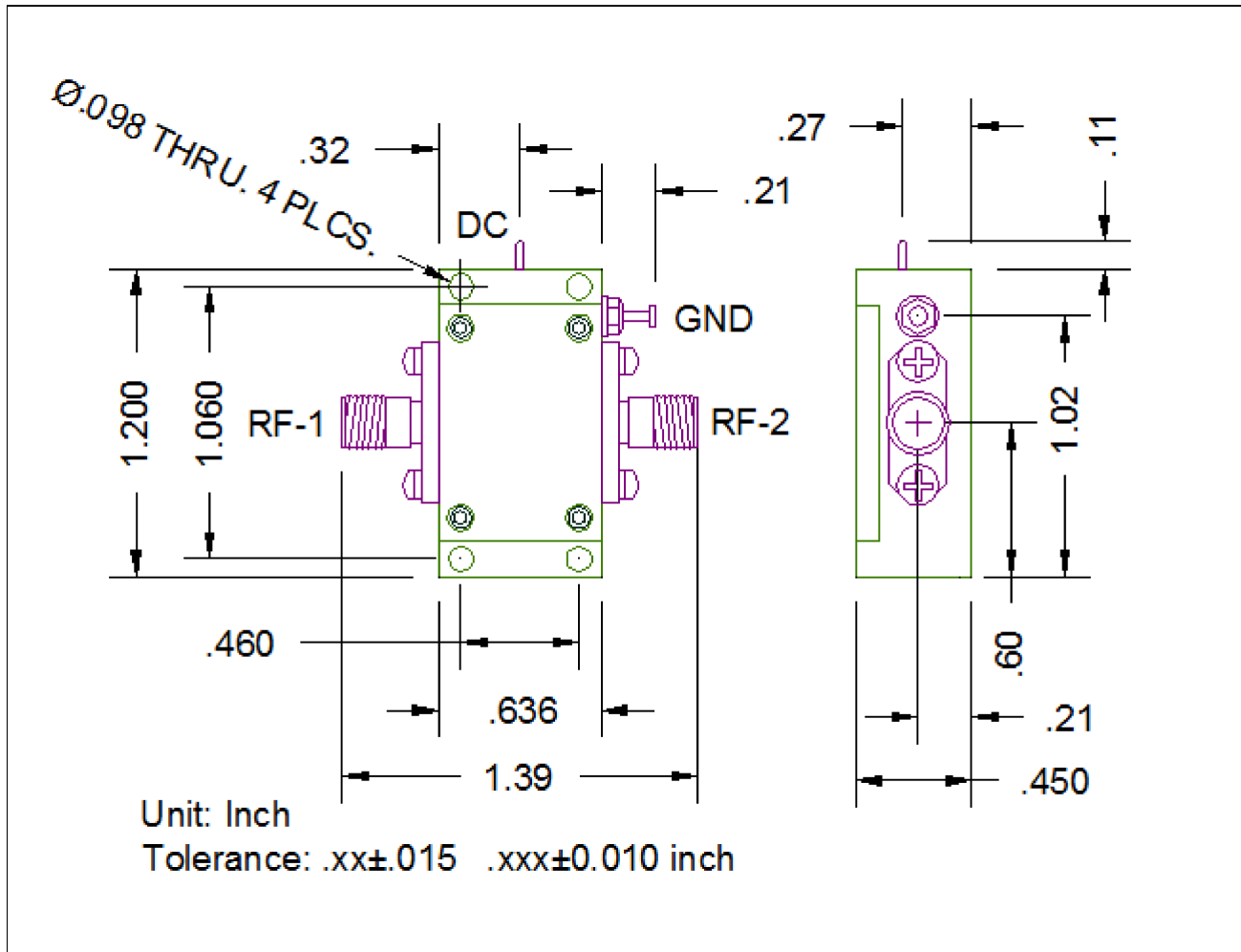
Updated: 3/9/2016



Nextec Microwave & RF, Inc. [WWW.NEXTEC-RF.COM](http://WWW.NEXTEC-RF.COM)  
3010 Scott Blvd., Santa Clara, California 95054  
(408) 727-1189(Ph)/ (408) 727-5915(Fax)/ sales@nextec-rf.com

# NB00441

## 2-20 GHz 0.1 W Broadband Amplifier



Connector	Type	Pin #	Pin Name	In/Out	Description
RF-1	SMA-F	1	IN	I	RF Input Signal
RF-2	SMA-F	1	OUT	O	RF Output Signal
DC	EMI Filter	1	+12 V	I	DC Power Supply (11-15V)
GND	GROUND LUG	1	GND	O	Ground

Updated: 3/9/2016



Nextec Microwave & RF, Inc. [WWW.NEXTEC-RF.COM](http://WWW.NEXTEC-RF.COM)  
3010 Scott Blvd., Santa Clara, California 95054  
(408) 727-1189(Ph)/ (408) 727-5915(Fax)/ sales@nextec-rf.com