

2.2 - 2.4 GHz Low Noise Amplifier

General Description

The NLC00425 is a narrow band Low Noise Amplifier. It has very reliable characteristics in over all temperature range. Its DC feed line includes EMI filter so that the unit is protected from a sudden impact from power supply.

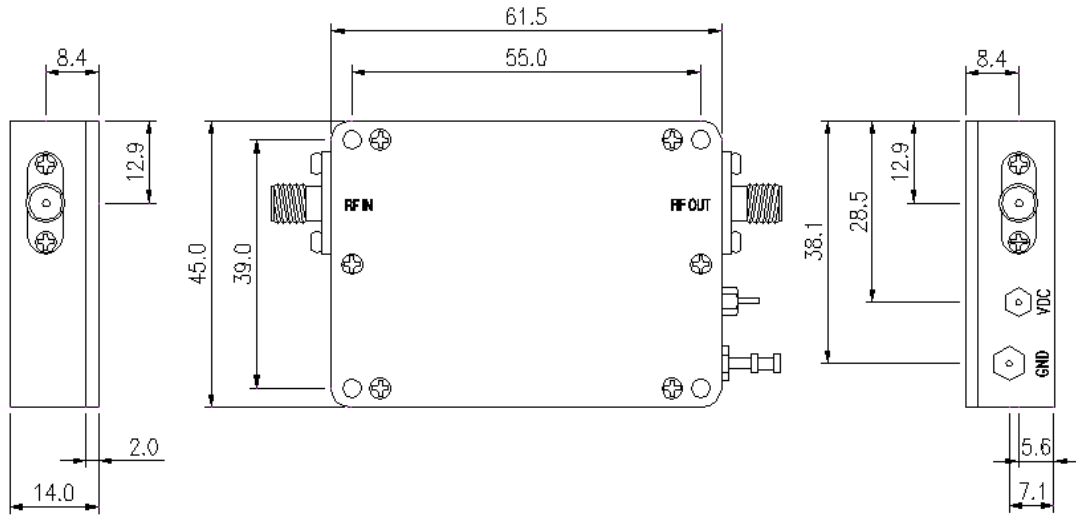


Performance at 25 degC

Parameter	Min.	Typ.	Max.	Units
Frequency	2200		2400	MHz
Gain at room temperature	29	30		dB
Gain Flatness over all frequency range at room temperature			±1.0	dB
Noise Figure over all temperature range	1.5	1.7		dB
1 dB Compression Point at room temperature	22.5			dBm
Output Third Order Intercept Point @ +10 dBm output power /tone, room temperature	34			dBm
Input VSWR			1.5 : 1	
Output VSWR			1.5 : 1	
DC supply voltage (Vcc)	14	15	16	V
Supplied Current			310	mA
Operating Temperature	-40		+70	degC

2.2 - 2.4 GHz Low Noise Amplifier

Outline Drawing



(unit: mm)

Connector Description

RFin	RF input signal (SMA-F)
RFout	RF output signal (SMA-F)
Vdc,	DC Supply Voltage (+15 V)